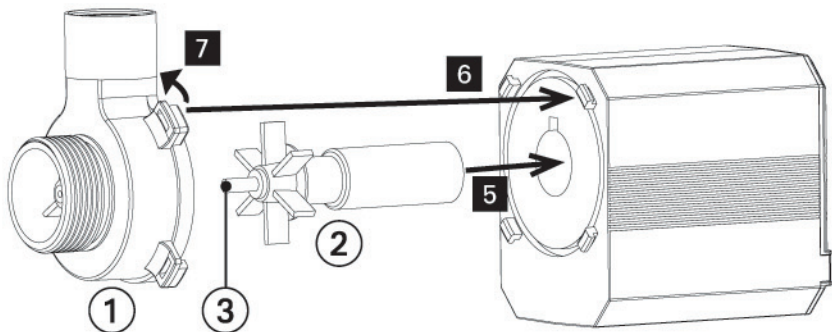
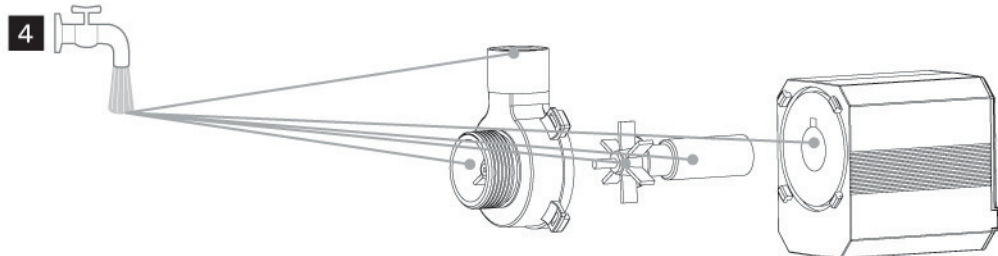
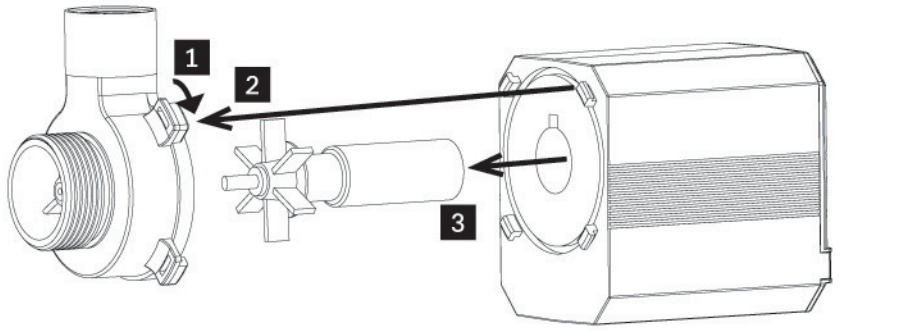


RCD (FI) $\leq 30\text{mA}$
230 V~

	①	②	③
HFP2500-00	ET30-P0031	ET30-P0032	ET10-Z3990
HFP3500-00	ET30-P0031	ET30-P0032	ET10-Z3990
HFP5000-00	ET30-P0031	ET30-P0032	ET10-Z3990



	①	②	③
HFP2500-00	ET10-P20EB	ZP200E-00	ET10-P20EN
HFP3500-00	ET10-P30EB	ZP300E-00	ET10-P30EN
HFP5000-00	ET10-P50EB	ZP500E-00	ET10-P50EN